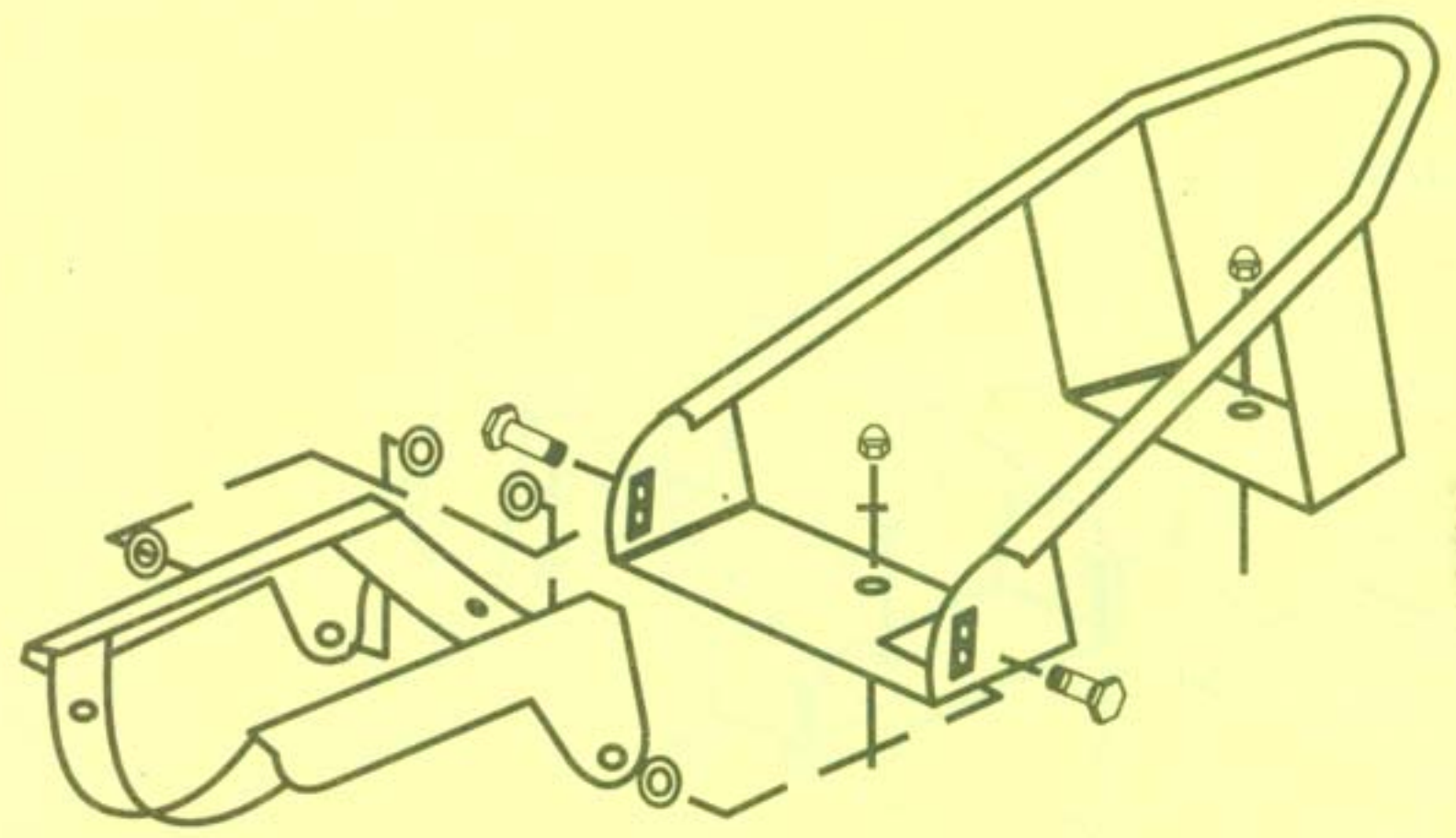




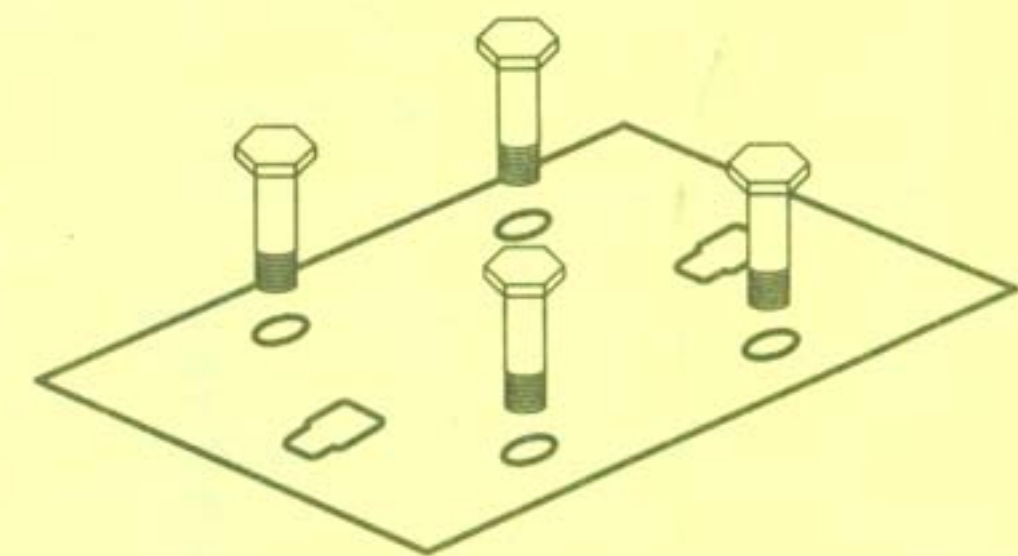
BIKE PRO™ - Model 20106

Includes 201026 & 20111
complete trailer mounting package
with Quick Release Mount



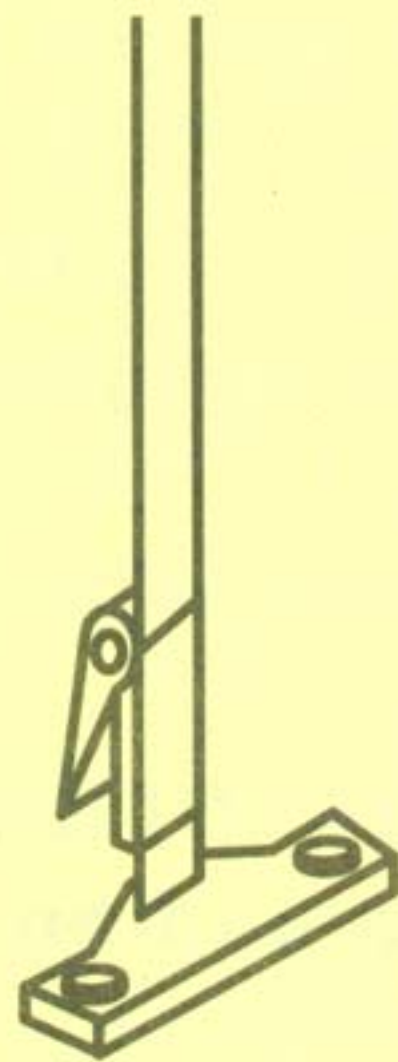
Quick Release Mount - Model 20111

10" x 16" mounting Plate w / bolts



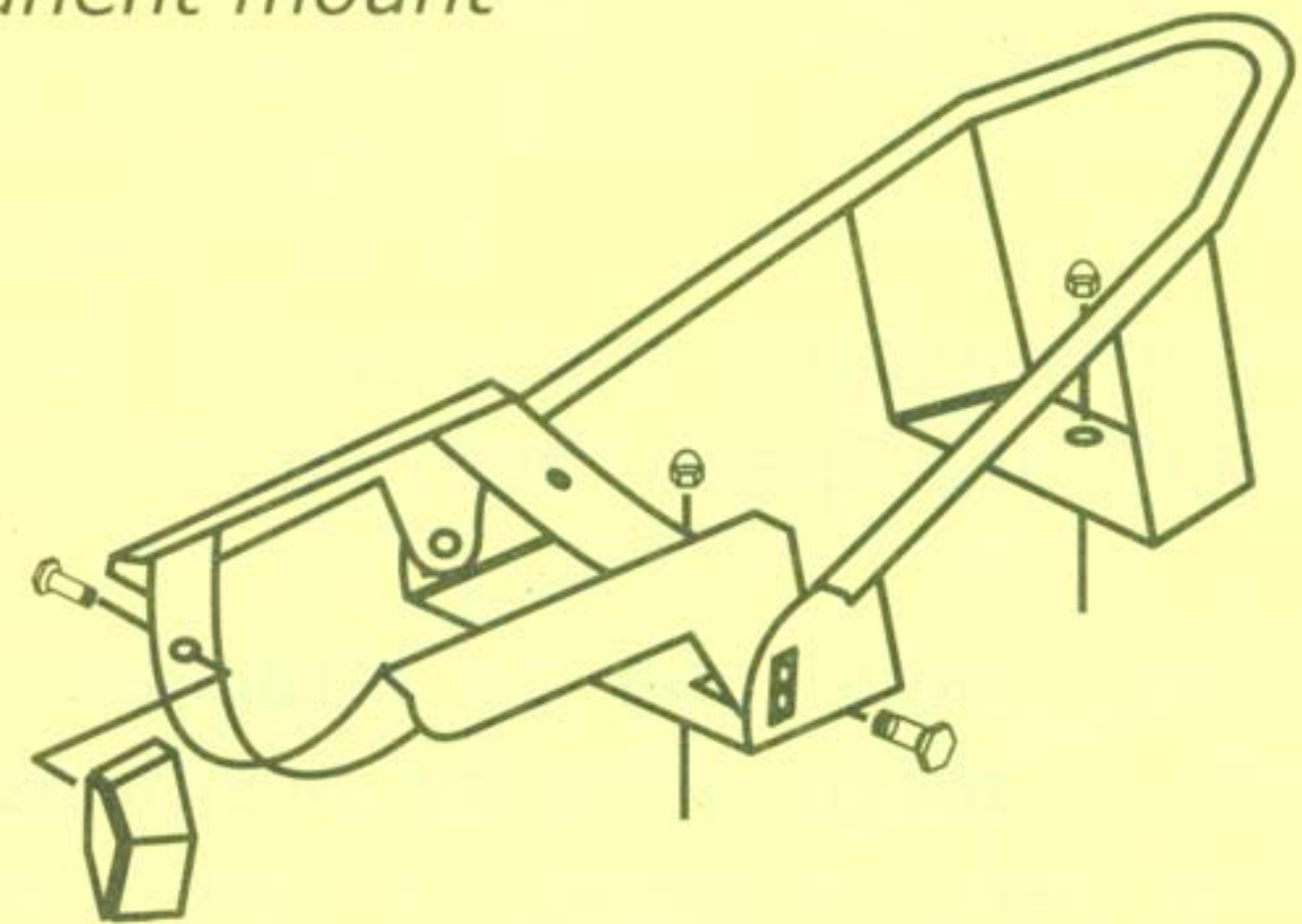
Tie Down Kit - Model 20122

Secures front tire only
Does not compress forks
(1) strap & (2) inserts that install
under the Quick Release Mount



BIKE PRO™ - Model 20126

Chrome plated finish
Permanent mount

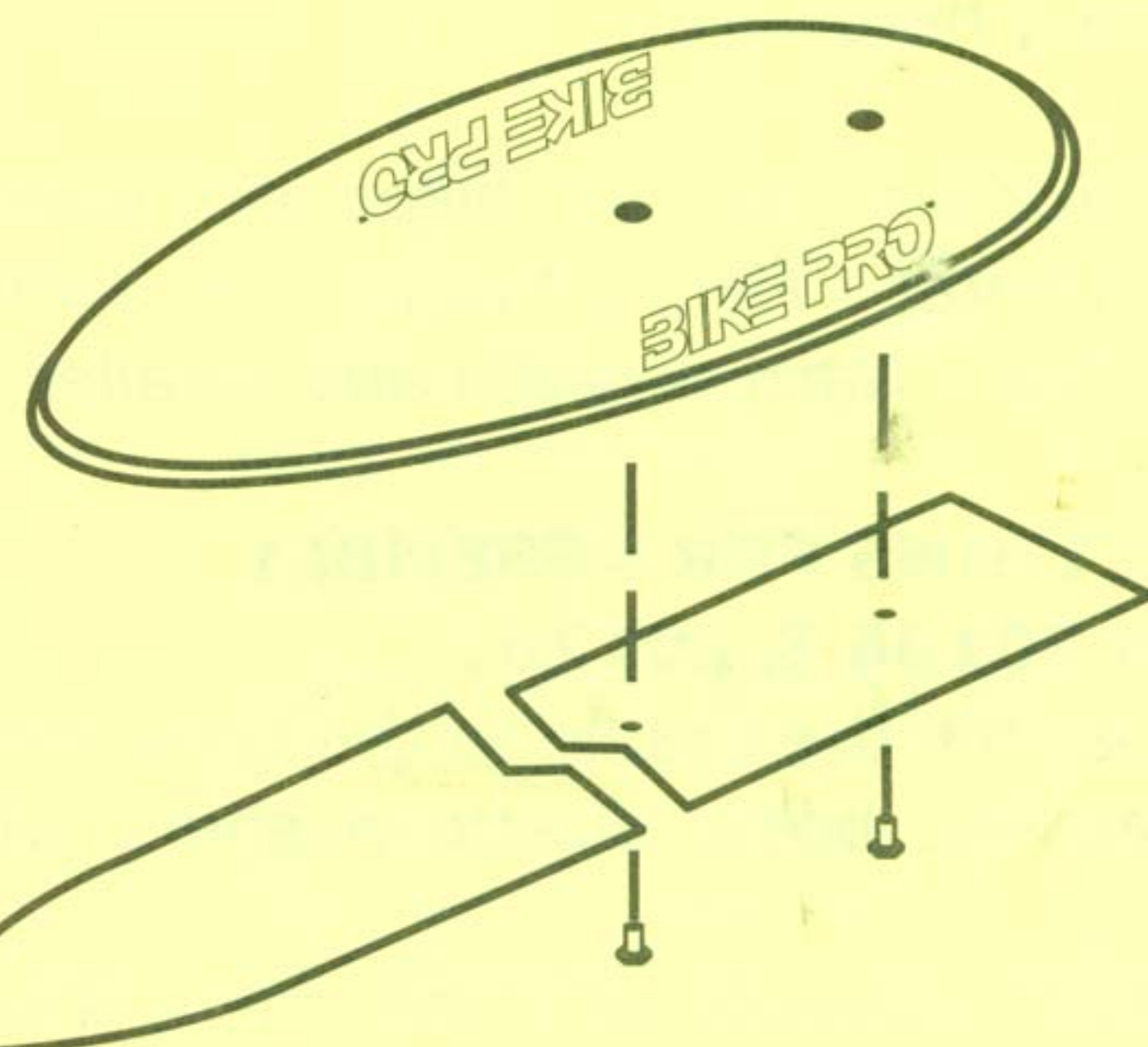


Narrow Tire Adapter Kit - Model 20128 **Optional (4 plastic inserts)**

To be used with tires 3 1/2" wide & narrower

Floor Stand - Model 20124

For bike display & service
Pearl black powder coat

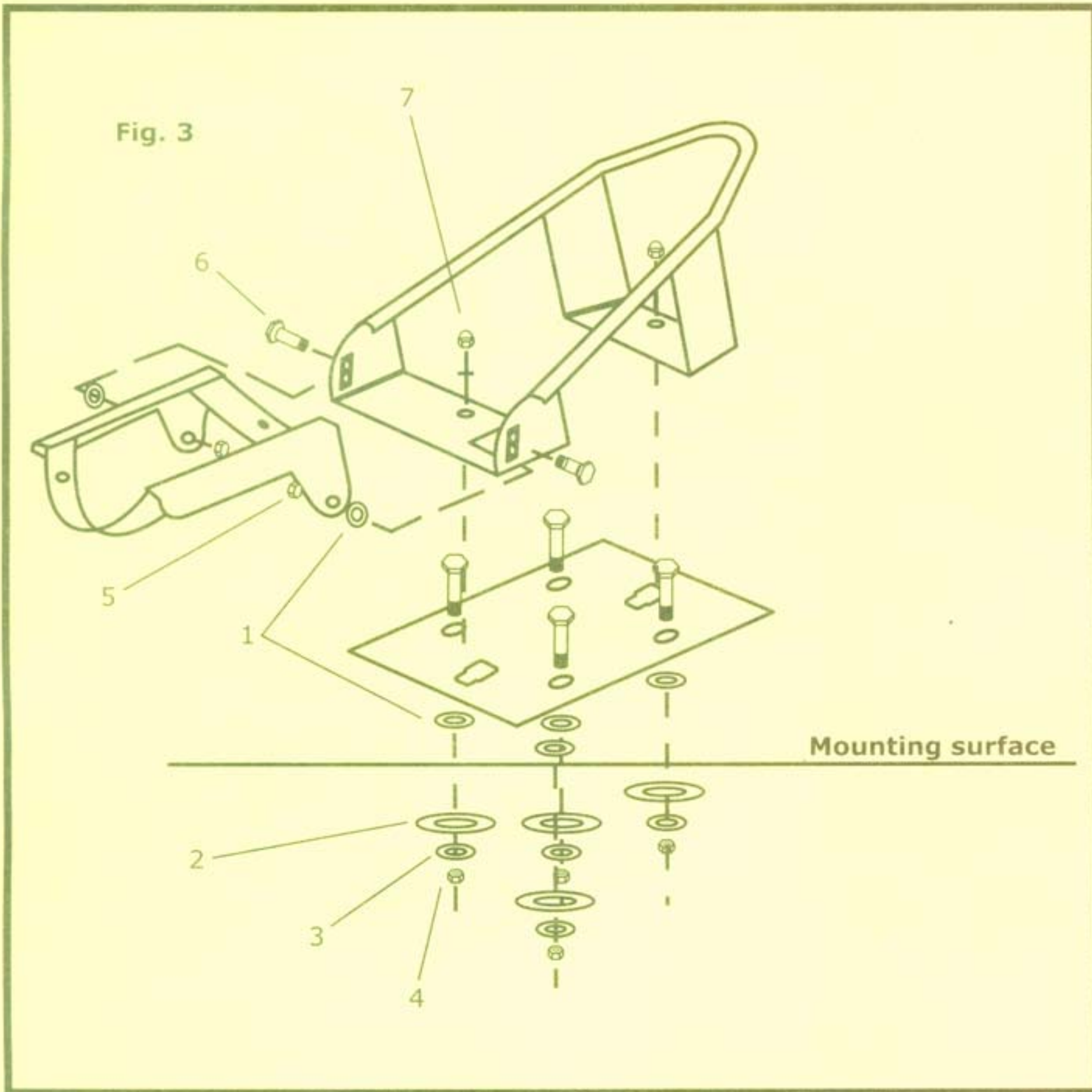


Smooth Floor Stabilizer - Model 20125

(for slippery floors only) it stops clients from
turning handle bars, the rear tire rests on the
plastic strip which is bolted to the stand

INSTALLATION INSTRUCTION

Fig. 3



- | | |
|-----------------------|---------------------------|
| 1. Plastic spacer | 5. 1/2" locknut |
| 2. Body washer 1-1/2" | 6. 1/2" x 1-1/4" carriage |
| 3. Lock washer 3/8" | 7. 3/8" acorn nut |
| 4. Nut 3/8" | |

Note: For multiple motorcycles add additional BIKE PRO™ and space them apart accordingly.

Note: The Cradle can be attached to the Base Assembly in three different positions. The lower setting is recommended if the tire clears the mounting hardware.

*Bottom - Cruiser bikes with wide tire
Center - Medium width and diameter
Top - Narrow width and smaller diameter*

DIRECTIONS FOR ASSEMBLY

Model 20106 & 20126

1. Assemble the Cradle to the Base Assembly with the carriage bolts, plastic washers and locknuts. Fig.3
2. Tighten locknuts only until there is slight friction as the Cradle is moved. These nuts should be checked regularly to ensure proper tension.

Quick Release Mounting

Model 20106 & 20111

Note: The Quick Release Base Plate must be installed so that the BIKE PRO™ will slide forward.

1. Position the BIKE PRO™ so that the BIKE PRO™ and/or motorcycle will have adequate clearance. Also check whether there will be interference with Frame Members under the Mounting Surface. There must be enough clearance from Frame Members to allow proper installation. Fig.3
2. Place the Plastic Washers in position so that they take up the gap between the Quick Release Mount and the Mounting Surface.
3. Use the Quick Release Mount as a template to drill holes.
4. Fasten the Quick Release Mount to the Mounting Surface with the carriage bolts.
5. Fasten the BIKE PRO™ with the lock washers, acorn nuts and tighten securely.

DIRECTIONS FOR USE

Unloading

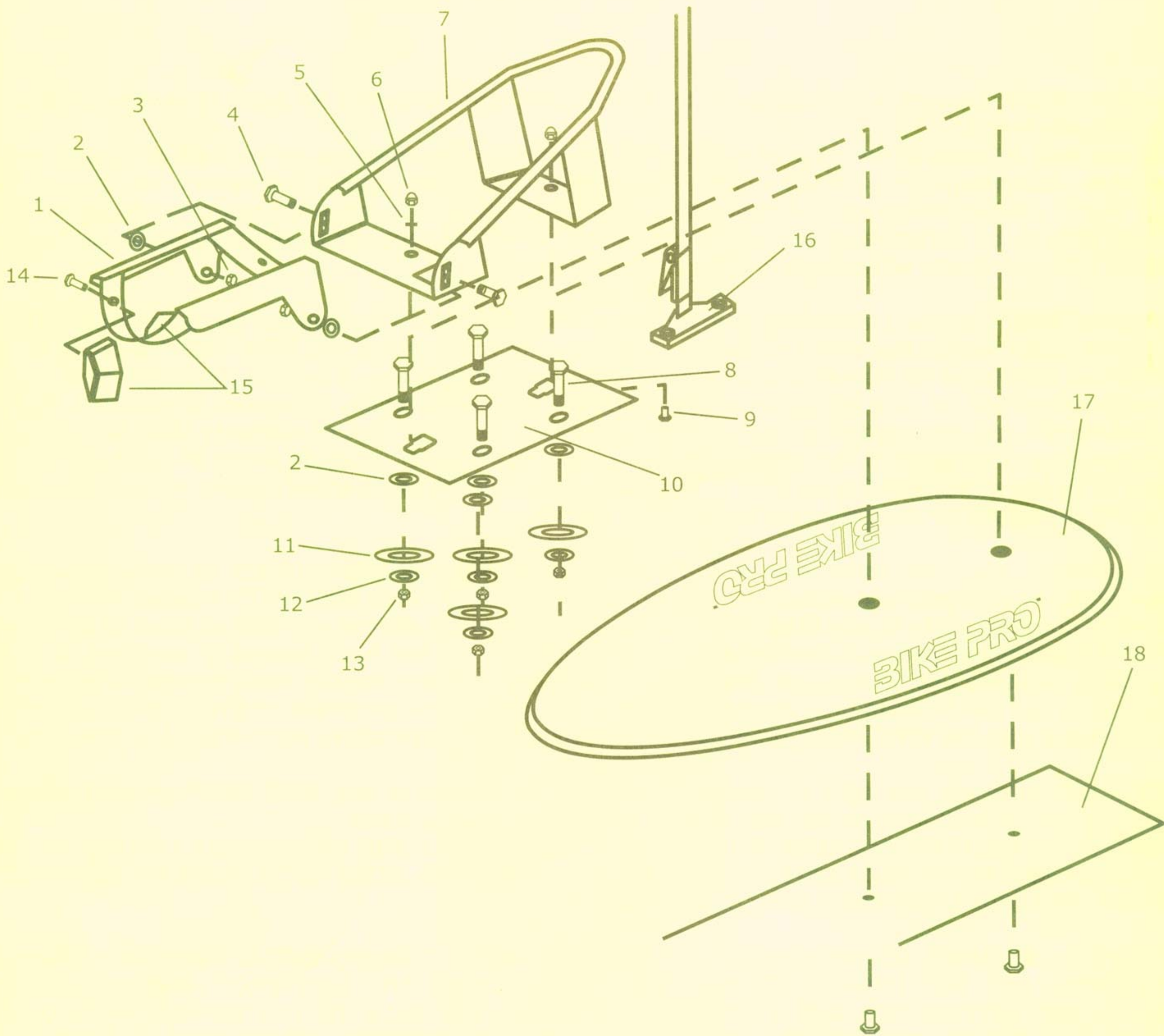
1. Remove means of securing motorcycle to tie down points.
2. Release motorcycle wheel from BIKE PRO™, by pulling rearward on motorcycle. Be prepared to use motorcycle brakes to slow or stop the motorcycle as it releases from the BIKE PRO™.
3. Carefully back the motorcycle off the Loading Surface.

Loading

1. Move motorcycle onto Loading Surface.
2. Completely engage motorcycle wheel into BIKE PRO™.
3. Once the motorcycle wheel is fully engaged in the BIKE PRO™, release and get off the motorcycle.
4. Adequately secure motorcycle to tie down points.

IMPORTANT: There is not any implied safety when using BIKE PRO™ products. Use of BIKE PRO™ products is at your own risk.

PARTS LIST



Ref	Part No.	Description	Qty	Ref	Part No.	Description	Qty
1	3761	Cradle Assembly	1	11	3475	Body Washer 1-1/2"	4
2	3482	Washer - Flat, Plastic	2	12	537	Washer-Lock 3/8"	4
3	3166	Nut - Stover, 1/2" UNC	2	13	934	Nut 3/8"	4
4	3178	Bolt - Carriage, 1/2" x 11/4"	2	14	3624	Screw, Thread Rolling, 1/4" x 1"	4
5	3170	Washer - Lock, 3/8"	2	15	3576	Left & Right (optional)	2
6	3486	Nut - Finish, 3/8"	2	16	20122	Tie Down (optional)	1
7	3760	Base Assembly	1	17	20120	Floor Stand (optional)	1
8	3485	Bolt - Carriage Head, 3/8" x 2"	4	18	20125	Smooth Floor Stabilizer (optional)	1
9	926	Bolt - Hex Head, 3/8" x 3/4"	2				
10	3476	Quick Release Base Plate	1				

BIKE PRO LIMITED WARRANTY

The BIKE PRO™ product is manufactured by STEGG LTD. and warranted for one (1) year according to the following terms:

This warranty extends to the original retail purchaser only and commences on the date of original retail purchase. Accordingly, this warranty is not transferable to any subsequent purchasers. Any part of the BIKE PRO™ product manufactured or supplied by STEGG LTD. and found in the reasonable judgment of STEGG LTD. to be defective in material or workmanship will be repaired or replaced by an authorized STEGG LTD. distributor without charge for parts and labor.

The BIKE PRO™ product including any defective part must be returned to an authorized STEGG LTD. distributor within the warranty period. The expense of returning the BIKE PRO™ product to an authorized distributor for warranty service and the expense of returning it back to the owner after repair or replacement will be paid for by the owner. STEGG LTD.'s responsibility in respect to claims is limited to making the required repairs or replacements, and no claim of breach of warranty shall be cause for cancellation or rescission of the contract of sale of any STEGG LTD. product. Proof of purchase will be required by the authorized STEGG LTD. distributor to substantiate any warranty claim. All warranty work must be performed by an authorized STEGG LTD. distributor.

This warranty does not cover any BIKE PRO™ product that has been subject to misuse, neglect, negligence, or accident, or maintenance instructions as specified in the BIKE PRO™ Product Manual. The warranty does not apply to any BIKE PRO™ product that has been altered or modified so as to adversely affect the product's operation, performance or durability or that has been altered or modified so as to change its intended use. In addition, the warranty does not extend to repairs made necessary by normal wear, or by the use of parts or accessories which in the reasonable judgment of STEGG LTD. are either incompatible with the BIKE PRO™ product or adversely affect its operation, performance or durability.

STEGG LTD. reserves the right to change or improve the design of any BIKE PRO™ product without assuming any obligation to modify any product previously manufactured.

STEGG LTD.'S OBLIGATION UNDER THIS WARRANTY IS STRICTLY AND EXCLUSIVELY LIMITED TO THE REPAIR OR REPLACEMENT OF DEFECTIVE PARTS, AND STEGG LTD. DOES NOT ASSUME OR AUTHORIZE ANYONE TO ASSUME FOR THEM ANY OTHER OBLIGATION.

STEGG LTD. ASSUMES NO RESPONSIBILITY FOR INCIDENTAL, CONSEQUENTIAL OR OTHER DAMAGE INCLUDING, BUT NOT LIMITED TO, EXPENSE OF RETURNING THE BIKE PRO™ PRODUCT TO AN AUTHORIZED DISTRIBUTOR AND EXPENSE OF RETURNING IT BACK TO THE OWNER, MECHANIC'S TRAVEL TIME, TELEPHONE CHARGES, TRAILERING OR TOWING CHARGES, RENTAL OR A LIKE PRODUCT DURING THE TIME WARRANTY SERVICE IS BEING PERFORMED, TRAVEL, LODGING, LOSS OR DAMAGE TO PERSONAL PROPERTY, LOSS OF REVENUE, LOSS OF USE OF THE BIKE PRO™ PRODUCT, LOSS OF TIME, OR INCONVENIENCE.

This warranty applies to all BIKE PRO™ products sold in Canada and the United States. By
STEGG LTD.

294 UNIVERSITY AVENUE, BELLEVILLE, ON, K8N 5S6

PH: (800) 434-5309 FAX: (866) 266-8277

www.bike-pro.com