

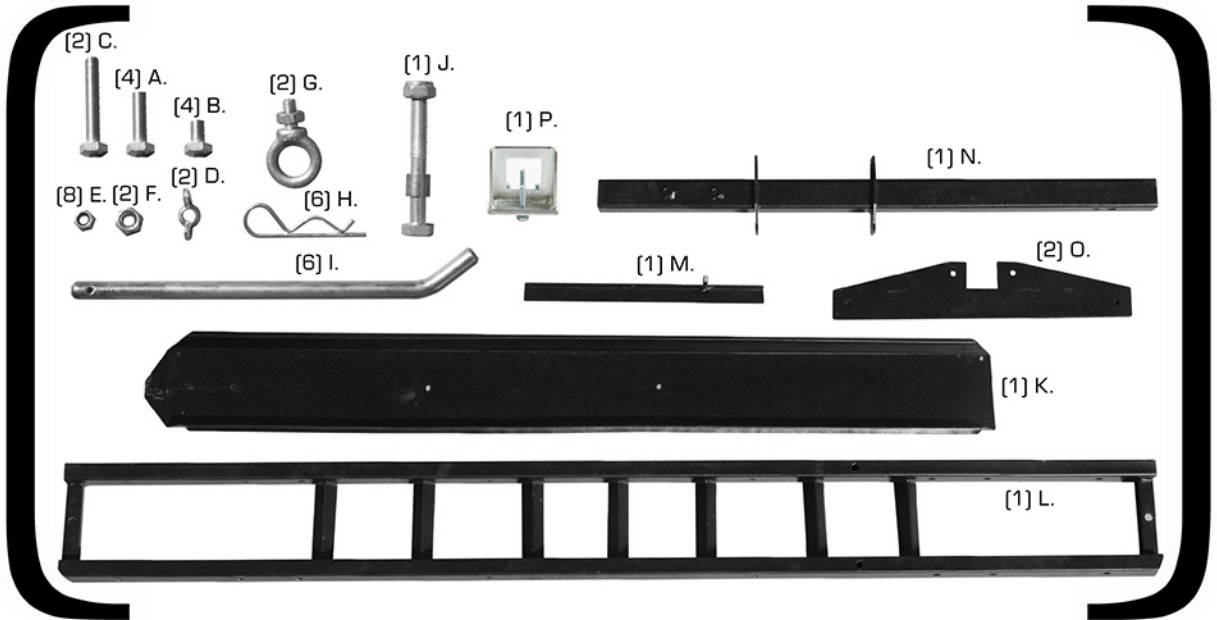
INSTRUCTIONS

MX-600X

DIRT BIKE / SCOOTER CARRIER

PARTS LIST:

- A. 1 3/4" Bolts
- B. 3/4" Bolts
- C. 2 3/8" Bolts
- D. Wing Nuts
- E. Small Nuts
- F. Big Nuts
- G. Eye Loops
- H. Spring Clips
- I. Long Pins
- J. 3 1/2" Pinch Bolt
- K. Ramp
- L. Carrier Track
- M. Ramp Holder Bracket
- N. Main Hitch Tube
- O. Carrier Support Bracket
- P. Reverse Anti-Tilt Bracket



[Step 1.] Start by placing the Main Hitch Tube on cardboard to protect the paint & secure the Carrier Support Brackets to the Hitch Tube with [4] 3/4" Bolts and Small Nuts keeping them loose.



[Step 2.] Slide the Carrier Track between the Carrier Support Brackets and secure it using [4] 1 3/4" Bolts and Small Nuts. Tighten all bolts until secure. DO NOT OVER-TIGHTEN



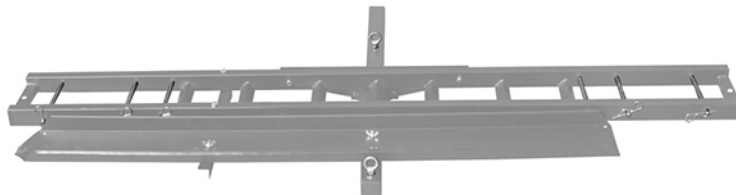
[Step 3.] Secure the Ramp Holder Bracket to the Carrier Track with [2] 2 3/8" Bolts and Big Nuts keeping them loose.



[Step 4.] Place the Ramp onto the Main Hitch Tube & Ramp Holder Bracket and secure it using [2] Wing Nuts. Tighten the Two bolts on the Ramp Holder Bracket.



[Step 5.] Next, slide the Long Pins into the sides of the Carrier Track and secure them with Spring Clips. Install the [2] Eye Loops into the Main Hitch Tube.



[Step 6.] From here there are two methods for stabilizing the carrier.
Both methods may be used but at least one is recommended.

1st Method- Using Hitch Pin & Reverse Anti-Tilt

Slide the Reverse Anti-Tilt onto the Main Tube with the single bolt pointing toward the carrier track. Slide carrier Main Tube into trailer hitch, lining up the larger 5/8" hole in the main tube with the hitch pin hole. Insert Hitch Pin and install hitch pin clip. Slide Reverse Anti-Tilt bracket forward toward vehicle hitch until it is flush against the hitch. Tighten the 4 bolts on the Anti-Tilt bracket.



2nd Method - Using Pinch Bolt and Reverse Anti Tilt Bracket

Slide the Reverse Anti-Tilt onto the Main Tube with the single bolt pointing toward the carrier track. Slide carrier Main Tube into trailer hitch lining up the larger 1/2" hole in the main tube with the hitch pin hole. Slide the 3-1/2" pinch bolt [with sleeve on bolt side of bolt] through the trailer hitch hole. Install the lock nut on the bolt and tighten. See diagram below.

